

M12

A-coded

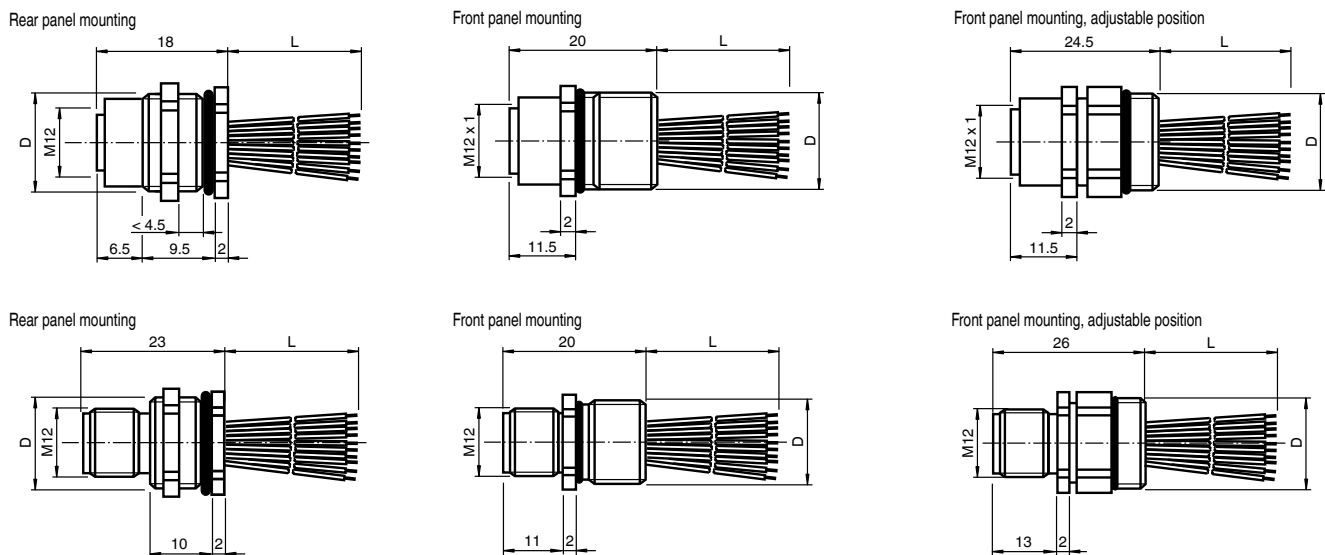
- Halogen-free
- Protection to IP67
- Thread M16 or PG9 mounting



Technical Specifications

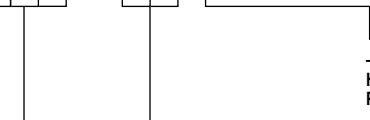
Number of poles	4	5	8
Electrical data			
Operating voltage maximum	250 V AC/DC	60 V AC/DC	30 V AC/DC
Operating current maximum	4 A	4 A	2 A
Ambient conditions			
Ambient temperature	-25 ... 80 °C		
Mechanical data			
Connection	M12 socket/plug, single strand leads		
Degree of protection	IP67		
Material			
Contacts	CuZn		
Contact surface	Au		
Housing	Brass, nickel-plated		
Cable			
Insulation type	TPE stranded wire		
Leads	4 x 0.34 mm ²	5 x 0.34 mm ²	8 x 0.34 mm ²
Length L	500 mm		

Dimensions



Model Number

V . . . - . . . - 5 0 0



Mounting type	M16	PG9
- Front panel mounting	●	●
H Rear panel mounting	○	○
P Front panel mounting, adjustable position	○	○

Thread D
PG9 Secured with high-strength cable gland PG9
M16 Secured with M16 thread

- Number of contacts**
- V1 4-pin socket
 - V15 5-pin socket
 - V19 8-pin socket
 - V1S 4-pin plug
 - V15S 5-pin plug
 - V19S 8-pin plug

- Standard, available in stock
- Available, minimum order quantity applies in some cases
- Combination not available

NOTE: See also 1/2" NPT series on page 1072

Wiring Diagrams

